

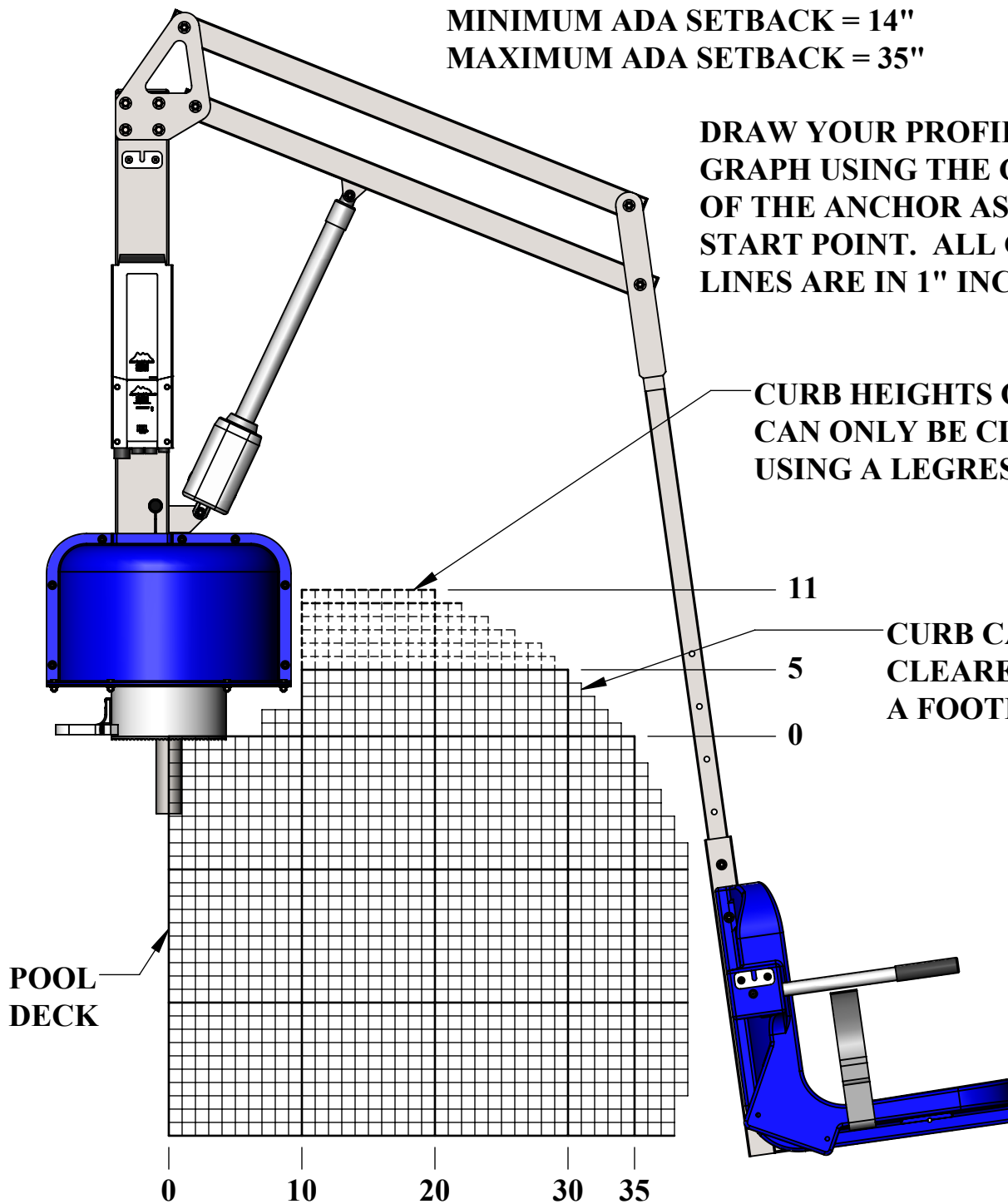
SCOUT 2 GRAPH CHART

MINIMUM ADA SETBACK = 14"
 MAXIMUM ADA SETBACK = 35"

DRAW YOUR PROFILE ON THE GRAPH USING THE CENTER OF THE ANCHOR AS YOUR START POINT. ALL GRAPH LINES ARE IN 1" INCREMENTS.

CURB HEIGHTS OVER 5" CAN ONLY BE CLEARED USING A LEGREST

CURB CAN BE CLEARED WITH A FOOTREST



SEAT ATTACHED AT LOWEST POSITION



strack Liftsysteme

Strack AG
 Ebnatstrasse 125
 8200 Schaffhausen

Tel. 0800 600 500
 Fax 0800 600 900

www.strack.ch
 info@strack.ch

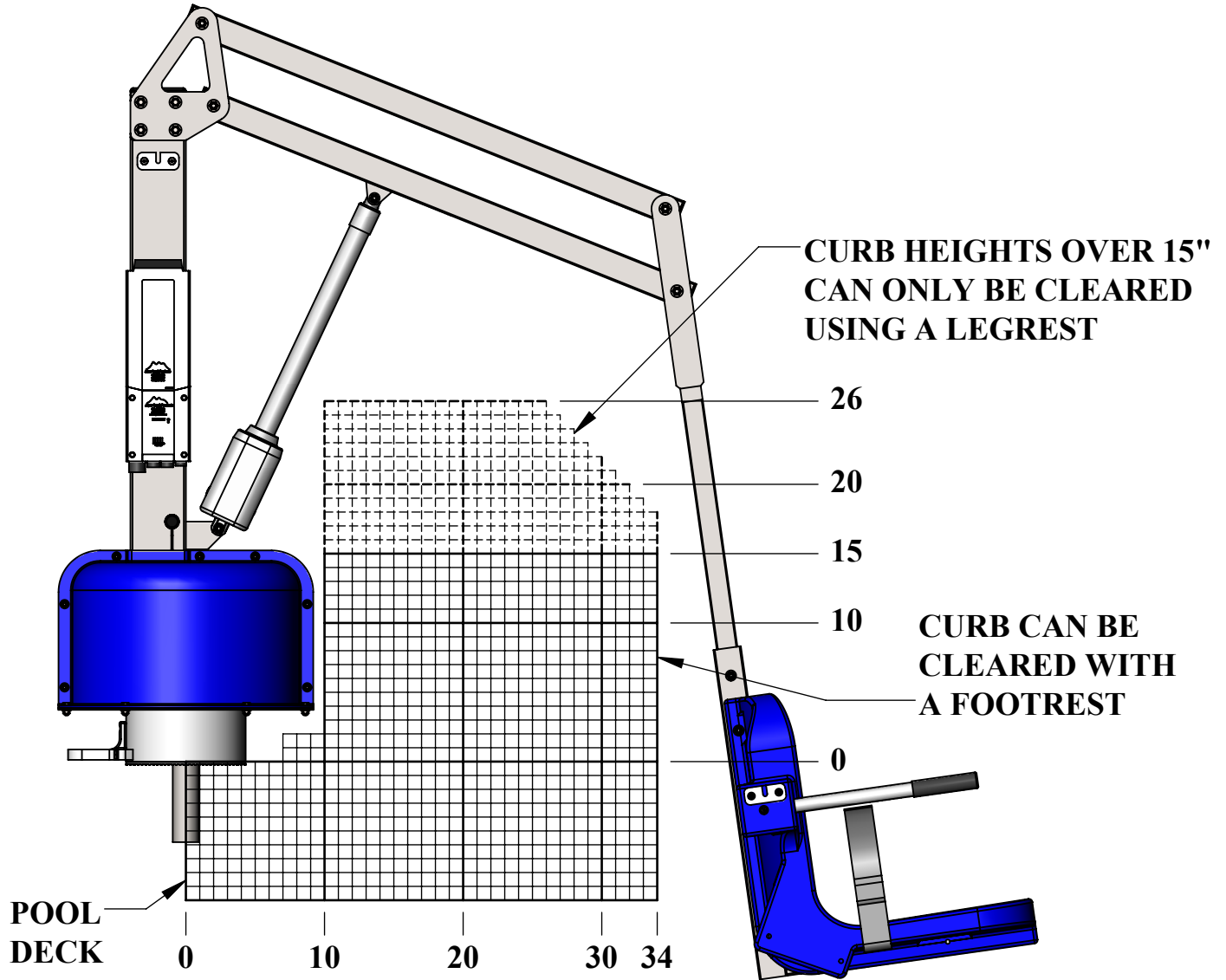
ZSR-Nr. K 7514.14
 NIF-Nr. 366 824
 MWST-Nr. 567 970

PRODUCT:	SCOUT LIFT	
PART #:	F-802SC2	
SCALE:	1:12	DATE: 8/15/2019
DRAWN BY:	KR	REVISION: 03

SCOUT 2 GRAPH CHART

MINIMUM ADA SETBACK = 14"
 MAXIMUM ADA SETBACK = 34"

DRAW YOUR PROFILE ON THE GRAPH USING THE CENTER OF THE ANCHOR AS YOUR START POINT. ALL GRAPH LINES ARE IN 1" INCREMENTS.



SEAT ATTACHED AT HIGHEST POSITION



9889 GARRYMORE LANE
 MISSOULA, MT 59808
 (406) 549-0769
 FAX (406) 549-2602

NOTE:
 *SPECIFICATIONS ARE SUBJECT TO CHANGE WITHOUT NOTICE

PRODUCT:		SCOUT LIFT	
PART #:		F-802SC2	
SCALE:	1:12	DATE:	8/15/2019
DRAWN BY:	KR	REVISION:	03